

KF 2981 Vi
MasterCool FrenchDoor
For high-end design and technology on a large scale.



- Push2open for convenient door-opening assistance
- Food stays fresh for up to 3 x longer thanks to MasterFresh
- Light floods the interior thanks to LED elements – BrilliantLight
- Communication with appliances couldn't be easier – WiFiConn@ct
- Convenient control thanks to colour touch display MasterSensor

EAN: 4002515928851 / Material number: 10746490 / Old Material Number: 38298101AUS

Appliance category	
Fridge-freezer	•
Construction type	
Built-in appliance	•
Integrated appliance	•
Door hinge	Left and right
Side-by-side enabled	•
Design	
Lighting	BrilliantLight
User convenience	
Networking with Miele@home	•
Freshness system	MasterFresh
DynaCool	•
NoFrost	•
DuplexCool Pro	•
SelfClose	•
IceMaker with mains water connection	•
Push2open	•
FullAccess	•
EasyClean	•
MaxLoad hinge	•
Control system	
Operating concept	MasterSensor
Independent temperature regulation of fridge and freezer zones	Yes
Automatic SuperCool	•
No. of temperature zones	3
Sabbath mode	•
Eco mode	•
Fridge/Fridge section	
Height-adjustable tempered glass shelves	2
No. of crisper drawers	2
SlidingShelf	•
Door shelves for jars	2
Door rack for bottles	4
Freezer/Freezer section	
Number of freezer baskets	2
Efficiency and sustainability	
Energy Star	•
Safety	
Lock function	•
Spill guard	•
Acoustic door alarm	•
Acoustic temperature alarm	•
Optical door alarm	•
Optical temperature alarm	•
Technical data	
Niche width in mm min.	914
Niche width in mm max.	915
Niche height in mm min.	2134

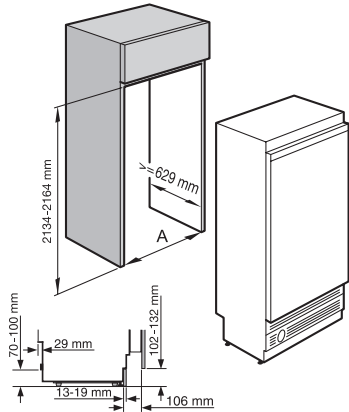
KF 2981 Vi
MasterCool FrenchDoor
For high-end design and technology on a large scale.



EAN: 4002515928851 / Material number: 10746490 / Old Material Number: 38298101AUS

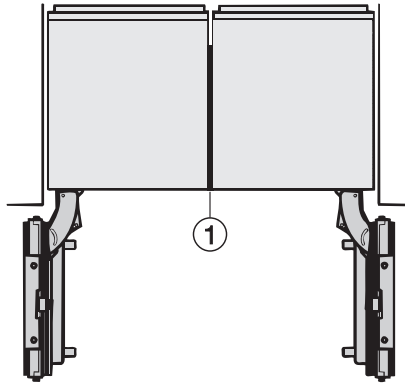
Niche height in mm max.	2164
Niche depth in mm	629
Appliance width in mm	908
Appliance height in mm	2125
Appliance depth in mm	608
Weight in kg	211,3
Door hinge technology	Fixed door
Max. door front weight – refrigerator, in kg	68
Max. door front weight – freezer, in kg	10
Climate class	T
including PerfectFresh zone in l	57
Total usable capacity in l	552
Storage time in case of fault in h	17
Current consumption (mA)	3000
Voltage in V	220-240
Fuse rating in A	10
Number of phases	1
Frequency in Hz	50-60
Length of supply lead in m	3,0
Replacing lamps	Service
Accessories included	
Active AirClean filter	•
Available display languages	
Available display languages via MultiLingua	bahasa malaysia, dansk, deutsch, eesti, english, english (AU), english (CA), english (GB), english (US), español, français, français (CA), français (FR), hrvatski, italiano, latviesu, lietuviu, magyar, nederlands, norsk, polski, português, русский, română, slovenčina, slovenščina, srpski, suomi, svenska, türkçe, українська, čeština, ελληνικά,

KF 2981 Vi
MasterCool FrenchDoor
For high-end design and technology on a large scale.



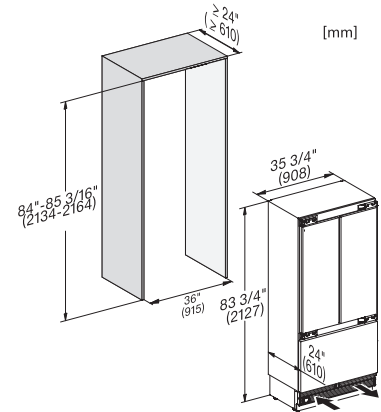
F1411Vi, K1801Vi, F1811Vi, K1901Vi, F1911Vi, KWT1601Vi, KWT1602Vi, dimensions of appliance, MasterCool (Sketch)*Footnote

K1801Vi / F1811Vi: A = 762 mm, K1901Vi / F1911Vi: A = 915 mm, F1411Vi: A = 457 mm, KWT1601/KWT1611Vi: A = 610 mm, KWT1602/KWT1612Vi: A = 610 mm

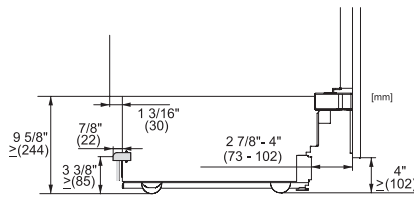


Side-by-side, MasterCool, without partition wall, with heating mat (Sketch) (with footnote)

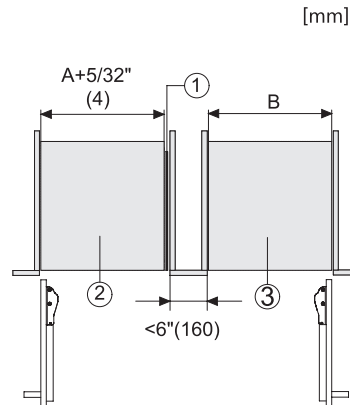
1) Heating mat KSK 2001 (EU, AUS, CN) or KSK 2002 (US, CA, MX, BR)



KF2982Vi, KF2981Vi, installation, MasterCool, installation drawings

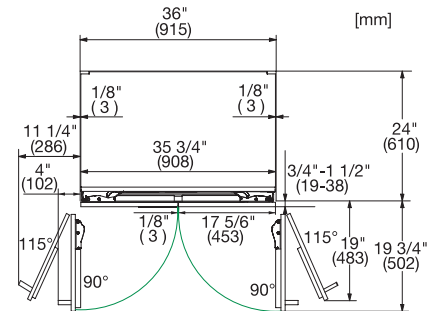


KF2901Vi/SF, KF2911Vi/SF, KF2801Vi/SF, KF2811Vi/SF, KF2981Vi/SF, sideview, MasterCool, installation drawings



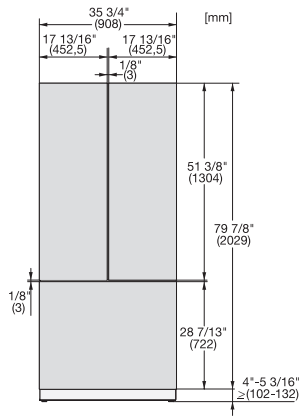
Side-by-Side, MasterCool, footnote, installation drawings

1. KSK 2001/2002, 2. Device A, 3. Device B, A = niche device A, B = niche device B

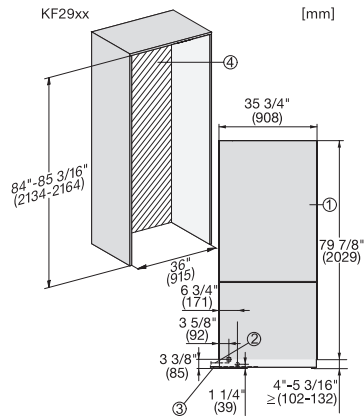


KF2982Vi, KF2982SF, KF2981Vi, KF2981SF, MasterCool, top view, installation drawings

KF 2981 Vi
 MasterCool FrenchDoor
 For high-end design and technology on a large scale.



KFP3635ed/cs, KFP3634ed/cs R, KFP3634ed/cs L, KFP3634ed/cs, Front panel, Front dimensions, MasterCool, sketch



KF2902Vi/SF, KF2912Vi/SF, KF2982Vi/SF, KF2901Vi/SF, KF2911Vi/SF, KF2981Vi/SF, installation, MasterCool

1. View from the front, 2. Mains Connection cable, L = 3000 mm (118 inch), 3. Water inlet position, L = 2000mm (not for KON USA), 4. No water/ELT connections permitted in this area